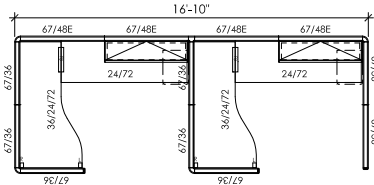
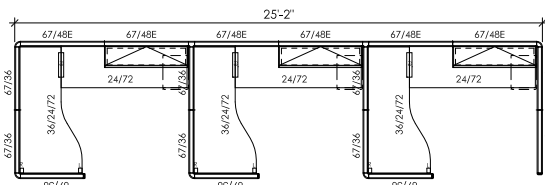


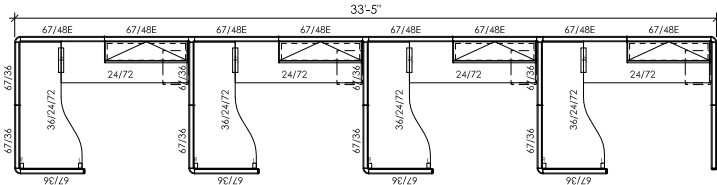
single workstation



2-single run

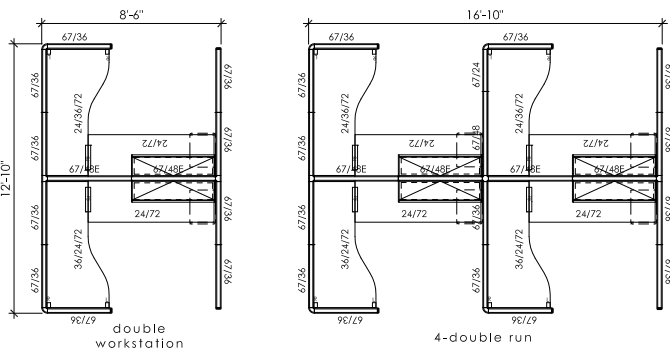


3-single run



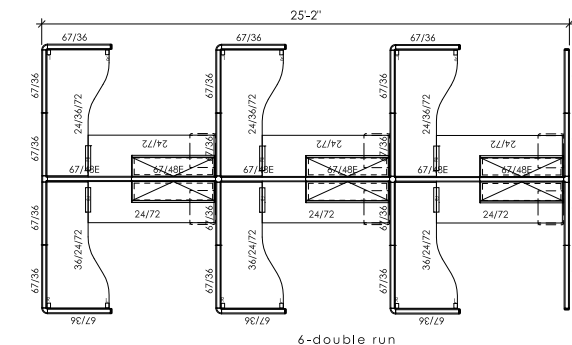
4-single run

### In-Line | Single Run Workstation

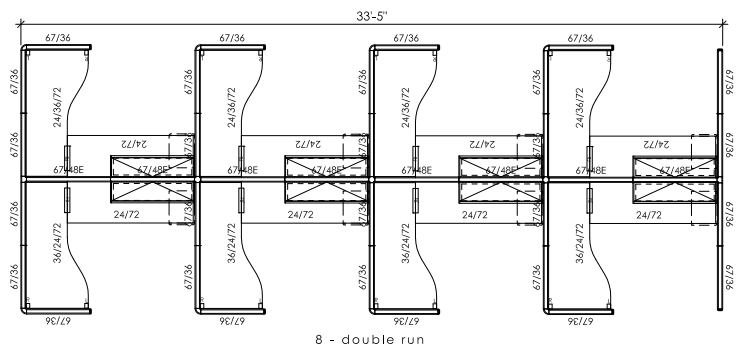


double workstation

4-double run



6-double run



8 - double run

### Back-to-Back | Double Run Workstation

# AO2 CLONE

## 67''h - 8' x 6' Transition WS1



### Product Features

- . Panel is available with various heights and width
- . Enhanced power and data capacity (4Circuit/8wires)
- . Lay-in power and data
- . Various storage, component, and worksurface
- . Component is able to install at various height
- . Finishes: 4 Metal, 72 Fabrics, 16 Laminates
- . 5 & 10 Day Quickship available
- . Functional, Affordable, High Performance
- . Quick and simple installation

### Solution

- . Collaboration (Low)
- . Production
- . Hoteling
- . Sales
- . Staff

### Specification

- . Square Feet - ~48SF per Single Workstation
- . Width - 8' per Single Workstation
- . Depth - 6' per Single Workstation
- . Height - 67"
- . Privacy - Sit/Stand (High)